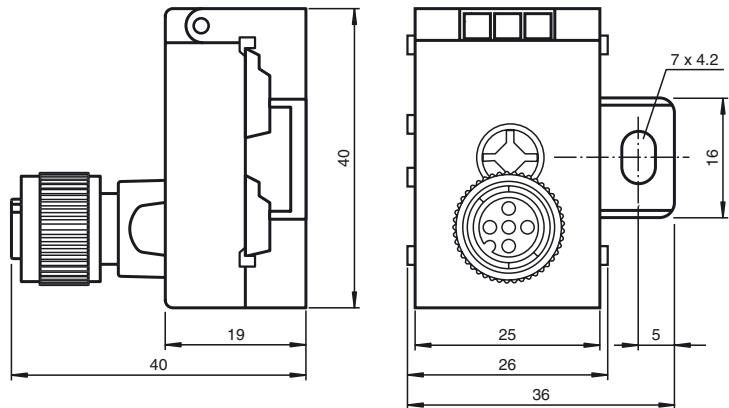




Dimensions



Model Number

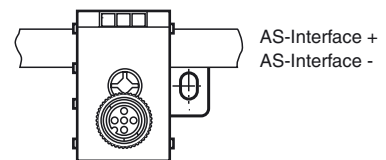
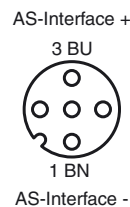
VAZ-T1-FK-V1R

Splitter box AS-Interface to 1x M12 round connector

Features

- Fixing component with captive screw
- Simple and fast mounting
- Gold plated contacts
- Housing made of fibre optics-reinforced plastic
- Immunity to vibration

Electrical connection



Technical data

General specifications

| | |
|-------------------|--|
| Construction type | Socket, straight Flat cable terminal AS-Interface |
|-------------------|--|

Electrical specifications

| | |
|---------------------------|--|
| Rated operational voltage | $U_e \leq 35 \text{ V PELV (AS-Interface)}$ |
| Rated operational current | $I_e \leq 4 \text{ A}$ |
| Overvoltage protection | U_o : Over voltage category III, safe isolated power supplies (PELV) |

Ambient conditions

| | |
|---------------------|-------------------------------|
| Ambient temperature | -25 ... 75 °C (248 ... 348 K) |
| Storage temperature | -25 ... 85 °C (248 ... 358 K) |
| Degree of soiling | 3 |

Mechanical specifications

| | |
|-------------------|--|
| Protection degree | IP67 / IP68 / IP69K |
| Connection | Plug connection: M12 socket x 1 (V1) Pin 1 AS-Interface+, Pin 3 AS-Interface- AS-Interface flat cable: Insulation penetration technology |

| | |
|----------------------------------|---------------------|
| Material | |
| Contacts | CuSn / Au |
| Housing | PA 66-GF25 Ultramid |
| Mass | 30 g |
| Tightening torque, fixing screws | 1.65 Nm |

Compliance with standards and directives

| | |
|---------------------|----------|
| Standard conformity | |
| Protection degree | EN 60529 |